



Fig 69 Front entrance to Park Hall from the park.



Fig 70 Park Hall seen from Crooms Hill



Fig 71 The White House from Crooms Hill



Fig 72 The White House on the right and Park Hall on the left.

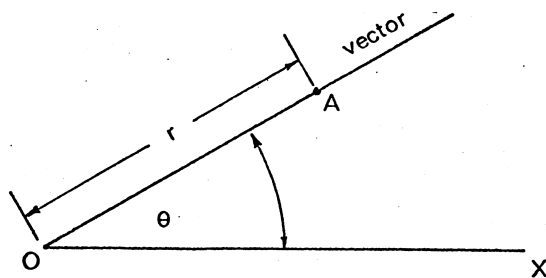


Fig73 Polar Co-ordinate system

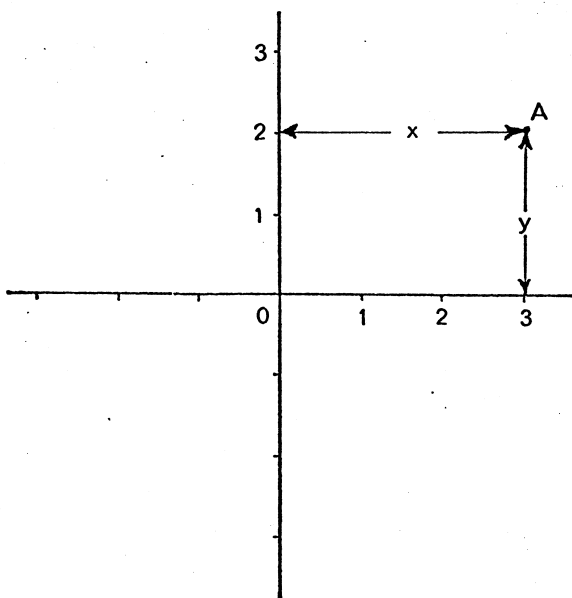


Fig74 Cartesian co-ordinate system

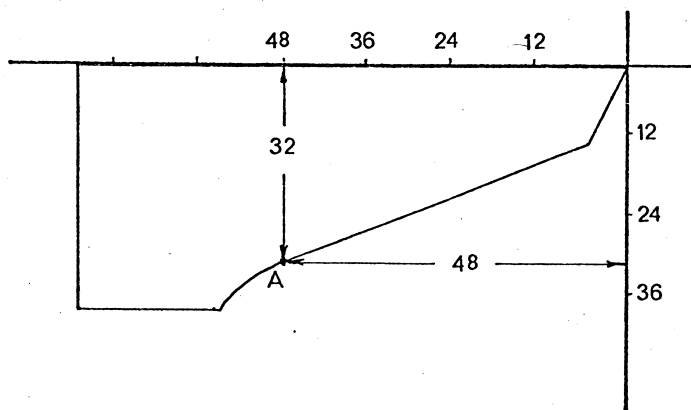


Fig75 Example of a harpsichord measurement using cartesian co-ordinates.



